

## Instruction manual CONVENTIONAL SOUNDER S9000

**EU Certificate: 1922 -CPR -0982 of 06/03/2018**

### 1. INTRODUCTION

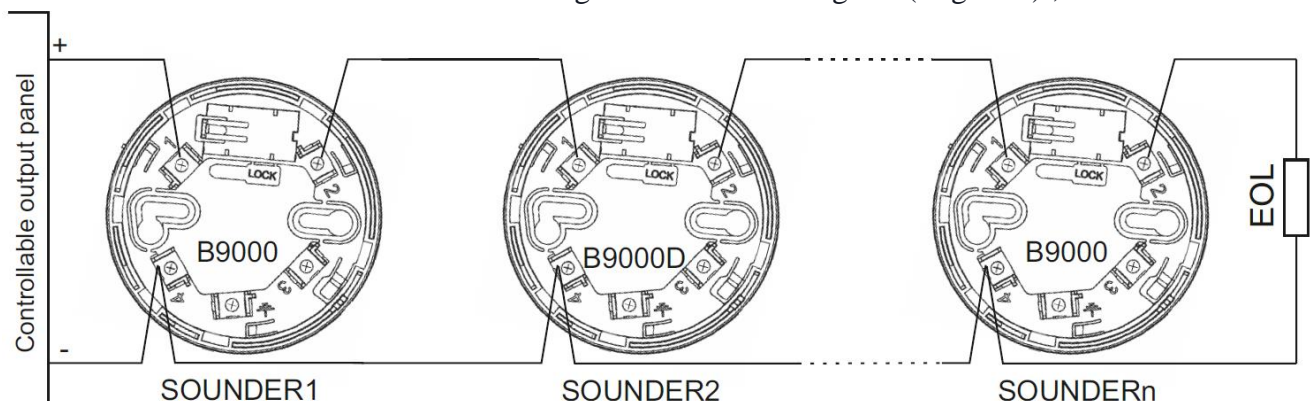
S9000 is applicable for sound and flash LED indication of events registered in Fire Alarm Systems. S9000 is compliant with EN54-3. The sounder is connected a two-wire cable on a base B9000. After being mounted on its base, the sounder must be locked.

### 2. TECHNICAL DATA

– Power supply:	9-30 V DC
– Alarm state current:	max.60 mA/24V DC
– Sound level, type “Slow whoop” on 1m:	96dB /24V DC
– Frequency, pattern “Slow whoop”:	0.5 – 1,2 kHz
– Flash light signalling:	red
– Connection to fire detector:	two-wire line
– Degree of protection:	IP 40
– Operational temperature range:	minus 15°C to 70°C
– Relative humidity resistance:	(93 ± 3)% at 40°C
– Dimensions:	Øφ100mm / h≤52mm
– Weight:	0.100g

### 3. MOUNTING THE SOUNDER

- Choose the place (according to the plans of the project) for the installation of the sounder ;
- Mount the base with appropriate fixings ;
- Connect the electrical cables according to the attached diagram ( Figure 1 ) ;



When connected to a controllable output of Fire Panel

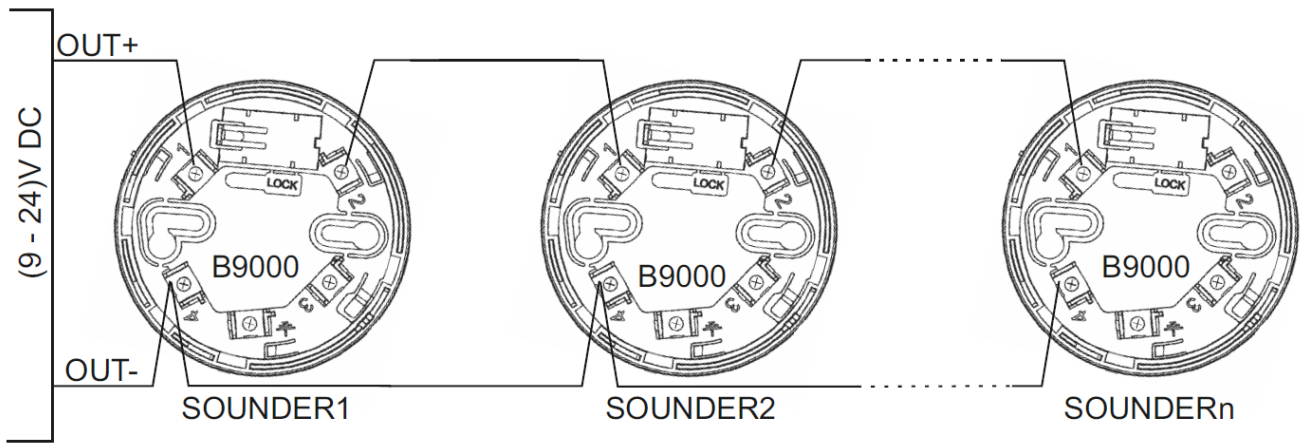


Fig.1

- Place the detector base and rotate clockwise till matching markers;
- Lock of the of the sounder:
  - Pre remove the key from the base ( Figure 2).
  - Break the plastic at the specified location on the bottom of the sounder ( Figure 3 ).

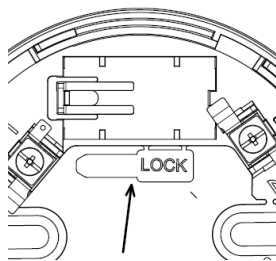


Fig.2

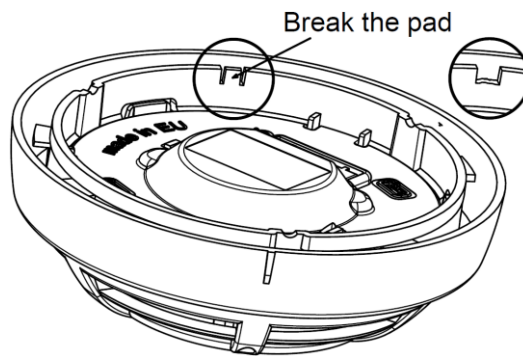


Fig.3

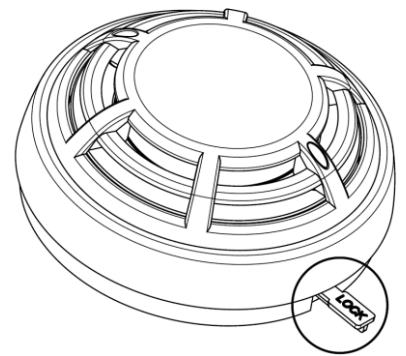


Fig.4

- Place the sounder base and rotate it.
- If the sounder is locked to the base, to unlock it, insert first the key to the specified location (Fig. 4) and rotate the sounder counterclockwise;

#### 4. WARRANTY

The warrant period is 36 months from the date of purchase, providing that the requirements stated in the service schedule have been observed.